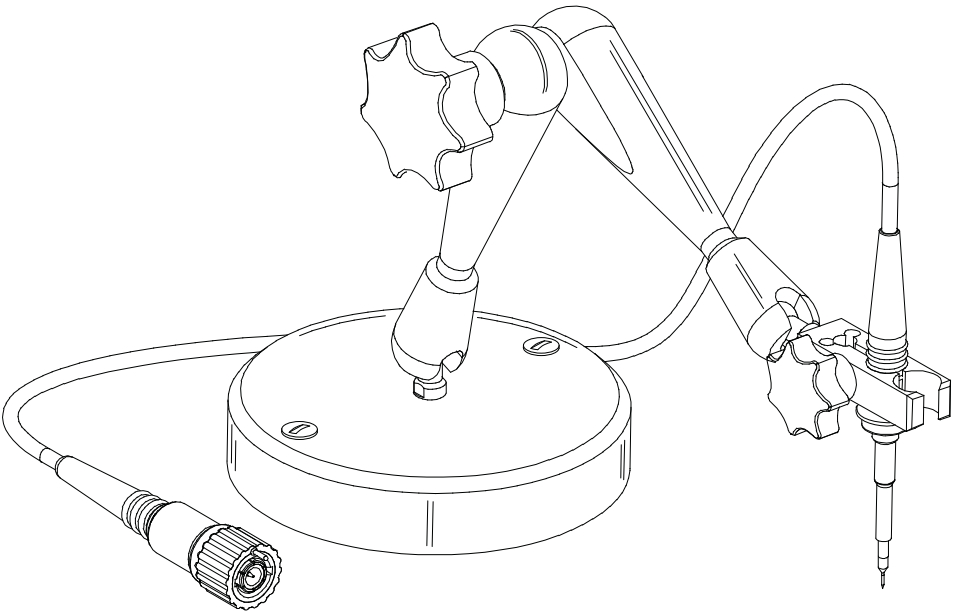


TA115

3D Probe Positioner

User's Guide



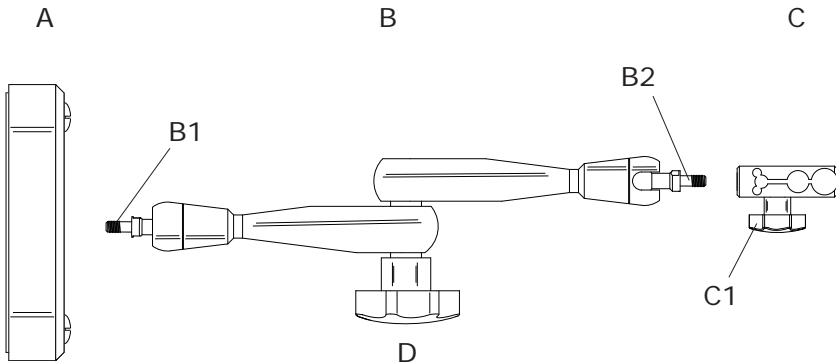
1. Assembly

The 3D Probe Positioner is delivered in three components: Base [A], positioner [B] and probe holder [C].

1. Screw the positioner (thread [B1]) into the base [A].
2. Tighten with the enclosed wrench (width across the flats is 7mm).
3. Screw the probe holder to the positioner (thread [B2]).
4. Tighten with the enclosed wrench (width across the flats is 7mm)

If it becomes necessary to replace the probe holder [C]:

5. Use the enclosed wrench to release the probe holder from the positioner.
6. Rotate the probe holder [C] anti-clockwise and remove from the positioner.
7. Fit replacement as described above in steps 3 and 4.



Clamping the Probe

Release the holder tensioning knob [C1] and clamp the probe into the probe holder [C], as shown in the next figure.

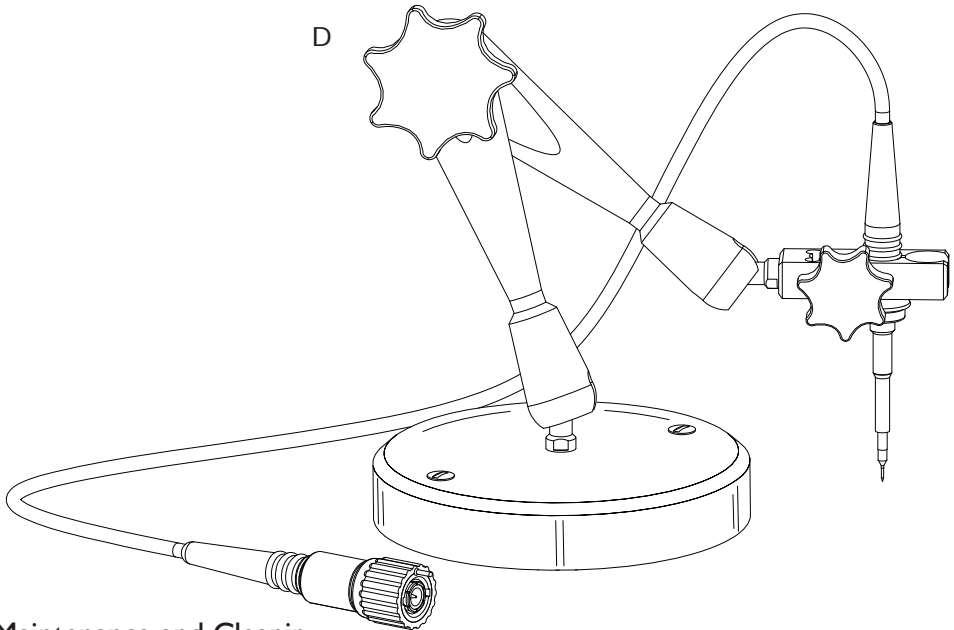
To fix the probe turn the central tensioning knob [D] until the probe is fixed. Three different sizes of opening ports are available at the probe holder, which can be used for different probe dimensions

2. Setup

While holding the probe holder, loosen the central tensioning knob [D] until the 3D Probe Positioner can be moved. Bring the 3D Probe Positioner into the desired position and lock it in place turning the central tensioning knob [D]. With the spring tip of Pico Technology probes, you can precisely set the contact to the measuring point.



Do not release the central tensioning knob [D] completely. Doing so collapses the 3D Probe Positioner and could damage your measuring setup.



Maintenance and Cleaning

The 3D Probe Positioner requires very little maintenance. However, if the device is exposed to pollution, regular cleaning and lubrication is required.

Maintenance

Apply a small amount of lubricant to the screws and joints.

Cleaning

Remove dust and dirt from the joints. Use standard cleaning agents that are commercially available.



DO NOT use any type of alkali or acid to clean the 3D Probe Positioner.

3. Related Products and Accessories

<i>Part No.</i>	<i>Description</i>
TA116	Pico Technology 3D Probe Positioner with Universal Clamp. Includes steel base, span width 200mm

Accessories and Spares for 3D Probe Positioners

For accessories and spares visit our 'Support' page on www.picotech.com and choose 'Sales Enquiries'. Contact our help desk and we will send you the required item as soon as possible.

Manufacturer

PMK GmbH
Mess- und Kommunikationstechnik
Industriestr. 17
63150 Heusenstamm,
Germany

Sales & Support

Pico Technology
James House
Colmworth Business Park
St. Neots
PE19 8YP
United Kingdom

www.picotech.com/support.html

Warranty

Pico Technology warrants this oscilloscope accessory for normal use and operation within specifications for a period of two (2) years from date of shipment and will repair or replace any defective product which was not damaged by negligence, misuse, improper installation, accident or unauthorized repair or modification by the buyer. This warranty is applicable only to defects due to material or workmanship. Pico Technology disclaim any other implied warranties of merchantability or fitness for a particular purpose. Pico Technology will not be liable for any indirect, special, incidental, or consequential damages (including damages for loss of profits, loss of business, loss of use or data, interruption of business and the like), even if Pico Technology has been advised of the possibility of such damages arising from any defect or error in this manual or product.

Copyright © 2010 Pico Technology. All rights reserved.

Information in this publication supersedes that in all previously published material. Specifications are subject to change without notice.

Revision History

<i>Revision#</i>	<i>Date</i>	<i>Reason</i>
1	July 2010	First Issue