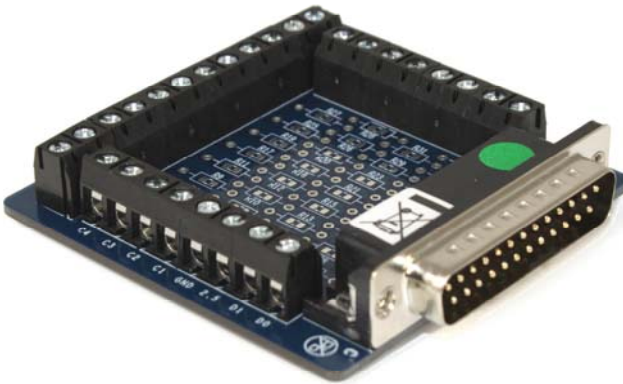


# PicoLog 1000 Small Terminal Board

## User's Guide





## CONTENTS

1	Overview	1
1.1	Introduction	1
1.2	Specifications	1
1.3	Connecting the Terminal Board to the Data Logger	1
1.4	Terminals and solder pads	2
2	Making measurements	2
2.1	Measuring voltages up to +2.5 V	2
2.2	Measuring voltages above +2.5 V	3
2.3	Offsetting and scaling the sensor signal	4
2.4	Resistor Connections	5
2.5	Measuring current	7



# 1 Overview

## 1.1 Introduction

The Small Terminal Board (PP545) is an accessory for the PicoLog 1012 and 1216 Data Loggers. The screw terminals allow sensor wires to be attached to the data logger without soldering. The terminal board also has locations where you can fit resistors to extend the input ranges of the logger.



**Figure 1 - Small Terminal Board**

## 1.2 Specifications

<b>Dimensions</b>	66 x 72 x 17 mm (approx. 2.6 x 2.83 x 0.67 in.)
<b>Weight</b>	50 g nominal (approx. 1.76 oz)
<b>Terminal wire size</b>	0.6-1.6 mm (14-22 AWG)

## 1.3 Connecting the Terminal Board to the Data Logger

You can plug the Terminal Board directly into the analog connector on the PicoLog Data Logger, or you can use a standard 25-way male-D to female-D parallel cable to connect the two units.

Using a cable will increase the noise and crosstalk between channels. If you make your own cable, you can minimise this problem by using a signal/ground twisted pair for each channel.

### 1.4 Terminals and solder pads

The table below shows the purpose of each of the screw terminals and resistor locations on the Terminal Board. For details of the inputs and outputs of the data logger, see the PicoLog 1012 and 1216 User’s Guide.

Marking on Terminal Board	Description
C1...C16 *	Analog input channels 1 to 16 *
D0...D3	Digital outputs
GND	Circuit ground
2.5	2.5 volt power output for sensors
PWM	Pulse-width modulated output
R1, R3, R5 etc.	Locations for 0805 or leaded series resistors in analog inputs (see Figure 5). Before you fit a resistor in one of these sites, you must cut the track under the component (see Figure 6).
R2, R4, R6 etc.	Solder pads for 0805 or leaded shunt resistors between each analog input and GND (see Figure 5).

\* The PicoLog 1216 has channels 1 to 16.  
 The PicoLog 1012 has channels 1 to 12.

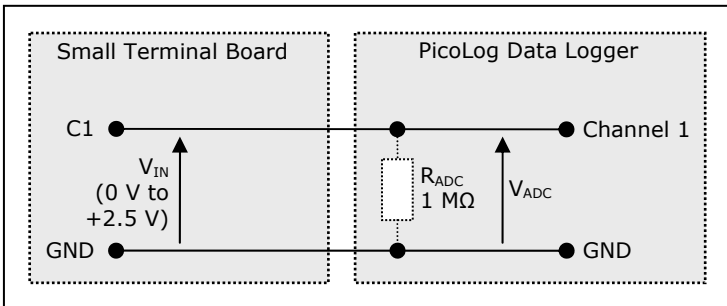
**Table 1 - Terminals and resistor sites**

## 2 Making measurements

### 2.1 Measuring voltages up to +2.5 V

For voltage sources from 0 V to +2.5 V, you can connect directly to any analog input channel. With this method, there is no need to fit any additional components to the Terminal Board.

Figure 2 shows analog channel 1, but the connections are similar for the other channels.

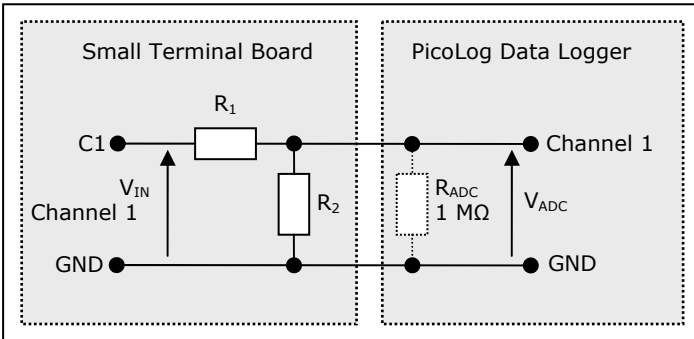


**Figure 2 - Direct input to channel**

### 2.2 Measuring voltages above +2.5 V

For voltages above +2.5 V, use a voltage divider connection. You must cut one track on the Terminal Board and fit two 0805 surface-mount, or axial leaded, resistors for each channel that you wish to use in this way.

Figure 3 shows the voltage divider circuit for analog channel 1, but the connections are similar for the other channels.



**Figure 3 - Voltage divider**

The voltage that the ADC sees,  $V_{ADC}$ , depends on  $V_{IN}$  and the values of  $R_1$  and  $R_2$ , and is given by the following equation:

$$V_{ADC} = \frac{V_{IN} \cdot R_2}{R_1 + R_2}$$

Choose values of  $R_1$  and  $R_2$  so that  $V_{ADC}$  is approximately +2.5 V when  $V_{IN}$  is at its highest.

To minimise errors in the measured voltage,  $V_{ADC}$ , caused by loading of the source voltage  $V_{IN}$ , ensure that the combined resistance of  $R_1 + R_2$  is much greater than the resistance of the voltage source. If you are unsure of the resistance of the voltage source, use large values for  $R_1$  and  $R_2$  such that  $R_1 + R_2$  is about 10 kΩ.

If you have chosen a value for  $R_2$  that is greater than 10 kΩ and you need high accuracy, then you will need to take into account the ADC's input resistance  $R_{ADC}$ , which is in parallel with  $R_2$ . Use the following formula to obtain a value for the parallel equivalent resistance of  $R_2$  and  $R_{ADC}$ ,  $R_p$ :

$$R_p = \frac{R_2 \cdot R_{ADC}}{R_2 + R_{ADC}}$$

where  $R_{ADC} = 1 \text{ M}\Omega$ , and then use  $R_p$  instead of  $R_2$  in the previous formula.

### 2.3 Offsetting and scaling the sensor signal

#### Example using a 2.5 V input

It is possible to offset and scale the  $\pm 5.0$  V signal from your sensor. There is a +2.5 V, 10 mA source available on the PicoLog Data Logger.

Assuming you are using channel 1, add a 20 k $\Omega$  surface mount or leaded resistor in position R1 (cutting the link as in Figure 6). Add a second 20 k $\Omega$  surface mount or leaded resistor in position R2. Finally, to give the correct offset and final scaling you must add a 10 k $\Omega$  leaded resistor in position R33. These three resistors will scale the  $\pm 5$  V output of your sensor to a signal at the logger varying from 0 V to +2.5 V.

The scaling function of PicoLog can convert this reduced and offset range back to the original voltage reading by mathematically subtracting 1.25 V and multiplying the remainder by 4. To compensate for any residual errors, the actual scaling offset and multiplier can be slightly varied to give exact readings by doing a simple calibration, if required.

If required, all 16 channels can be offset in this way. The above values allow use up to the full analogue bandwidth of the PicoLog of 70 kHz but the input impedance is reduced from 1 M $\Omega$  to about 27 k $\Omega$ .

If a higher input impedance is required, replace R1 with 1 M $\Omega$ , do not fit R2 at all and for the R33 use 500 k $\Omega$  (two 1 M $\Omega$  in parallel). This will give an input impedance of over 1 M $\Omega$  but the frequency response will fall to about 1 kHz.

In both cases, when no input is connected, the DC voltage will float up to 1.66 V. As long as the output impedance of the sensor you are feeding to the input of the PicoLog is much lower than input impedance of the circuit above, the DC level is pulled to the correct value upon connection.

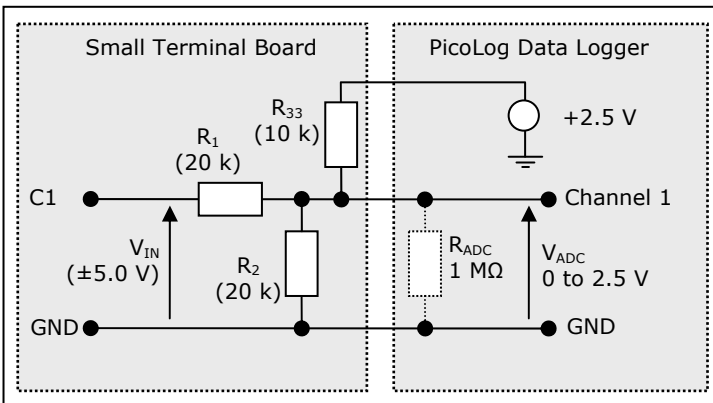


Figure 4 – Offsetting and scaling the signal



### 2.4 Resistor connections

The resistors on the Small Terminal Board are connected as shown in Figure 5.

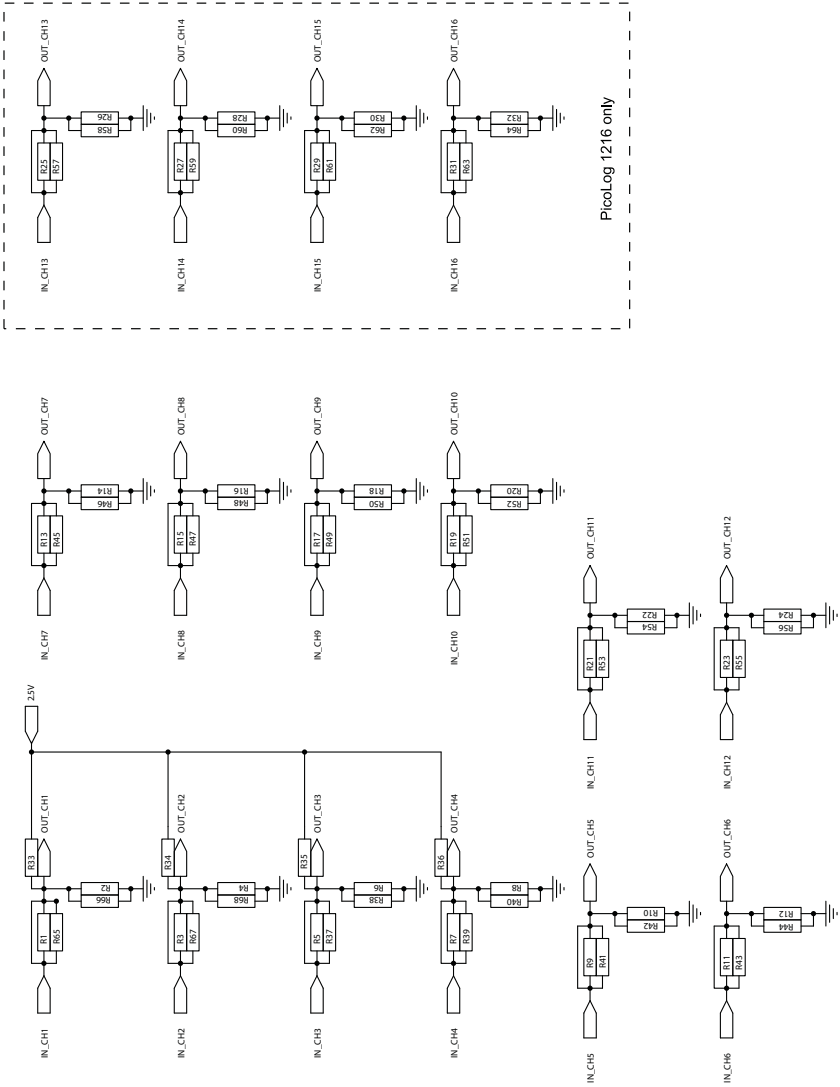
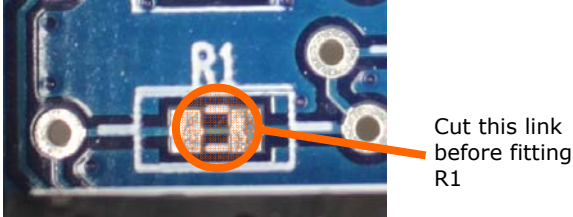


Figure 5 - Voltage divider resistor sites

The location for each series resistor (R1 and so on) is bypassed by a copper link. You must cut this link (see Figure 6) before fitting the resistor.



**Figure 6 - Location of copper link under R1**

The following noise problems are often associated with potential divider circuits:

<b>1. Noise from source voltage</b>	Try fitting a capacitor as described below.
<b>2. RF interference picked up at high-impedance points</b>	Smaller values for $R_1$ and $R_2$ may help
<b>3. Noise on the earth connections</b>	The signal 0 V line is connected to mains earth. Try to avoid this situation.

Should either 1 or 2 above occur and you want to try a capacitor, ensure that you have fitted resistor  $R_1$  and cut the corresponding track beneath the resistor. Fit the capacitor in place of or in parallel with  $R_2$ , as necessary. Use the following formula for  $C$ , the value of the capacitor:

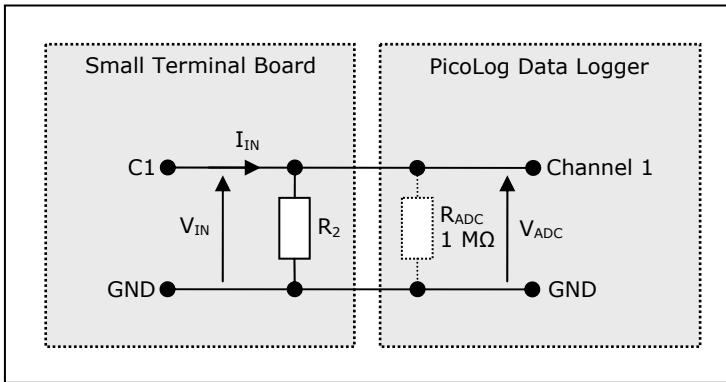
$$C = \frac{1}{2\pi f R}$$

where  $R$  is  $R_1$  or the smaller of  $R_1$  and  $R_2$ , and  $f$  is the highest signal frequency in hertz.

## 2.5 Measuring current

You can use measure current towards ground by using a simple shunt resistor to convert the current into a voltage before measuring with the ADC.

Figure 7 shows the circuit for analog channel 1, with shunt resistor  $R_2$ . A similar circuit can be used for the other channels.



**Figure 7 - Shunt resistor circuit**

You will need to calculate the resistor value  $R_2$  from the following equation:

$$R_2 = \frac{2.5 \text{ V}}{I_{MAX}}$$

where  $I_{MAX}$  is the highest current you want to measure.

### **Warning!**

**Under no circumstances use this method for measuring mains (house) currents. The Small Terminal Board is not designed to be connected to the mains. Attempting to do so could result in serious property damage and personal injury.**

## Issues:

- 1) 14.5.09. New for PicoLog 1012 & 1216.
- 2) 11.2.11. New SMT design.
- 3) 04.1.13. Title changed

Pico Technology  
James House  
Colmworth Business Park  
St. Neots  
PE19 8YP  
United Kingdom

[www.picotech.com](http://www.picotech.com)

Pico Technology is a registered trademark of Pico Technology Ltd.



Copyright © Pico Technology Ltd. 2009-2013  
All rights reserved